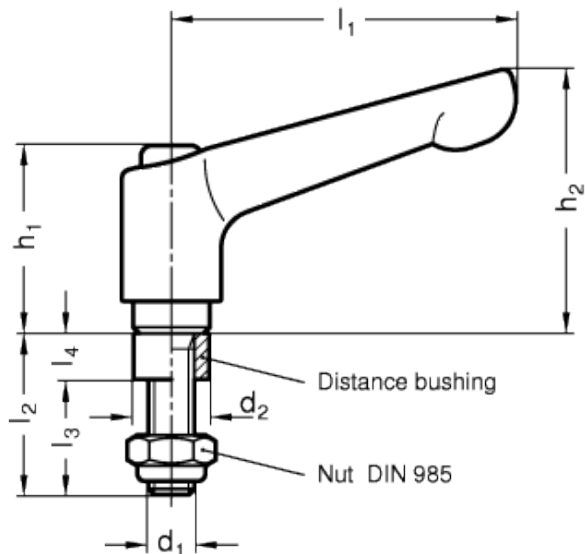


GN 911

Clamping kits



INOX
Stainless Steel



technical informations

Lever body

Zinc alloy die-cast, epoxy resin coating.

Colour

RAL 9006 silver.

Clamping element

AISI 303 stainless steel with threaded hole and toothed element for coupling to the lever body, AISI 303 stainless steel screw and AISI 301 stainless steel return spring.

Locking nut

AISI 304 stainless steel.

Distance bushing

AISI 303 stainless steel.

Features and applications

The clamping kit is an adjustable handle for clamp connectors.

The clamping kits GN 911 can be used instead of the hexagon socket cap screws DIN 912 for connector clamps.

The table of the connector clamps shows the corresponding clamping kit for each clamping point.

Standard Elements	Main dimensions								Weight
Description	d ₁	d ₂	l ₁	l ₂	l ₃	l ₄	h ₁	h ₂	g
GN 911-M6-22	M 6	9.9	45	22	19	3	24.5	35	50
GN 911-M6-25	M 6	9.9	45	25	22	3	24.5	35	50
GN 911-M6-32	M6	9.9	45	32	29	3	24.5	35	72
GN 911-M8-32	M 8	12.9	63	32	27.5	4.5	31	45	103
GN 911-M8-35	M 8	12.9	63	35	30.5	4.5	31	45	104
GN 911-M8-40	M 8	12.9	63	40	35.5	4.5	31	45	107
GN 911-M8-45	M 8	12.9	63	45	40.5	4.5	31	45	109
GN 911-M8-50	M 8	12.9	63	50	45.5	4.5	31	45	111
GN 911-M8-55	M 8	12.9	63	55	50.5	4.5	31	45	112
GN 911-M10-40	M 10	16.9	78	40	34.5	5.5	36	55	174
GN 911-M10-50	M 10	16.9	78	50	44.5	5.5	36	55	179
GN 911-M10-55	M 10	16.9	78	55	49.5	5.5	36	55	181
GN 911-M10-63	M 10	16.9	78	63	57.5	5.5	36	55	184
GN 911-M10-70	M 10	16.9	78	70	64.5	5.5	36	55	188
GN 911-M10-80	M 10	16.9	78	80	74.5	5.5	36	55	200



STANDARD MACHINE ELEMENTS WORLDWIDE